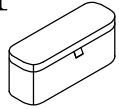


Ax1



Bx4



4cm

Cx4



5*50

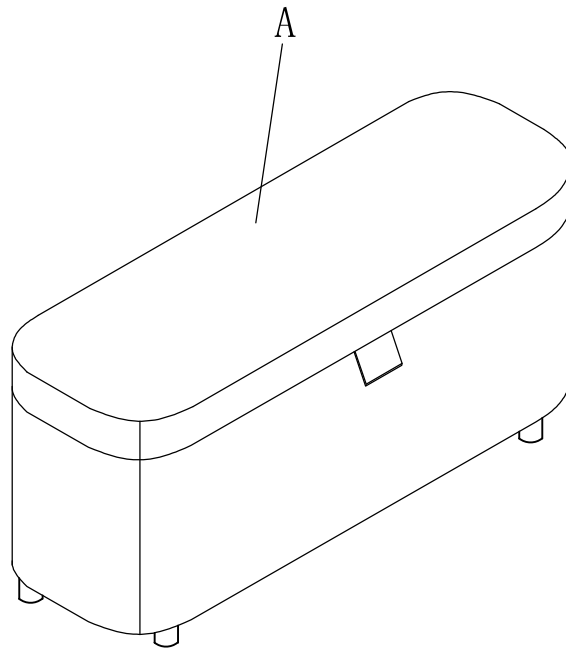
Dx1



Ex4



1



2

